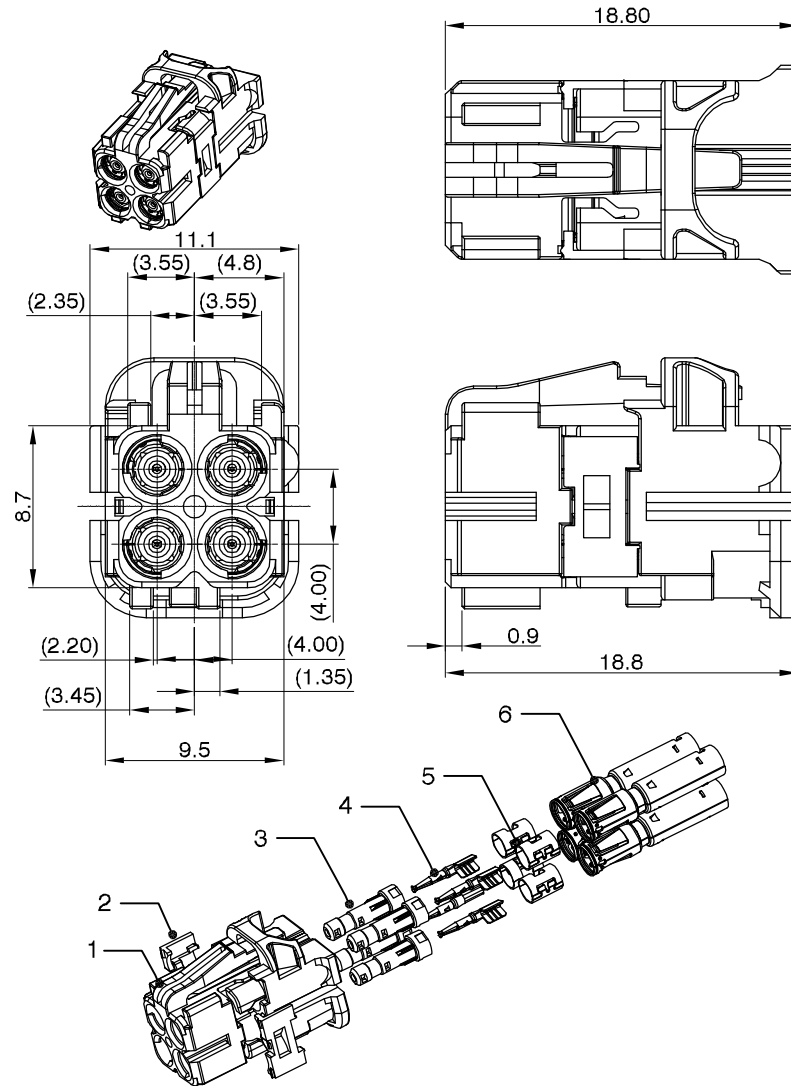


此文件为双方检验的唯一标准
This document is the only standard for inspection by both parties.

REV.	ECN.NO.	MODIFY.CONTENT	DATE
X1		初版草图	8/25'19

SHOWN: 1FMCN04EU4PAP000

SHOWN: 1FMCN04EU4PAP000



NOTES:

1. ELECTRICAL CHARACTERISTICS:

- a. WORKING VOLTAGE: 335 V rms;
- b. CURRENT RATING: 1.5 A DC;
- c. TEST VOLTAGE: 750 V rms;
- d. INSULATION RESISTANCE: 1000 MΩ Min.;
- e. INNER CONTACT RESISTANCE: 24 mΩ Max.;
- f. OUTER CONDUCTOR RESISTANCE: 5 mΩ Max. .

3. MECHANICAL CHARACTERISTICS:

- a. MATING CYCLES: 25 cycles;
- b. ENGAGEMENT FORCE: <= 45 N,
- c. DISENGAGEMENT FORCE: 5 N Min.;
- d. CODING RETENTION FORCE: 110N Min.;

4. ENVIRONMENTAL CHARACTERISTICS:

- a. WORKING TEMP.: -40~105°C;
- b. THERMAL SHOCK: ISO 20860-2 CLAUSE 9.2
- c. TEMPERATURE AND HUMIDITY: ISO 20860-2 CLAUSE 9.3
- d. VIBRATION AND DMECHANICAL SHOCK: ISO 20860-2 CLAUSE 9.1
- e. DRY HEAT: ISO 20860-2 CLAUSE 9.4

5. RoHS: COMPLIANT;

6. PACKAGE: BAG/CARTON

Item	Part Name	Part Number	QTY	Material	Plating
1	HOUSING SHELL	2FMCN04B0400A-00	1	PA66 GF30	BLACK
2	PIN LOCK	2FMCN04B00028-00	2	PBT GF30	VIOLET
3	PIN HOLDER	2FMCN04B01010-00	4	PBT+20%GF	GREEN
4	PLUG TML	2TPBFMCN04E01-00	4	COPPER ALLOY	Au Over Ni
5	CALBE RING	2TSSFMCN04N00-00	4	SUS304	CLEAN
6	CALBE SHELL	2TPBFMCN04T00-00	4	COPPER ALLOY	Tin over Ni

GENERAL TOLERANCE		DRAWN	Michael Wu	8/25/19	SCALE	PART NO.	1FMCN04EU4PZP000
X:±0.30	x:±3.0'	CHECKED			4/1	TITLE	MINI FAKRA 4 IN 1
.X:0.25	.x:±2.0'	APPROVED			UNITS	mm	WIRE PLUG
.XX:0.20		File NO.	FMCN0401S			CUSTOMER DRAWING	
.XXX:0.10		REV.					
SHEET	1/1	QTY	1	X1	蘇州祥龍嘉業電子科技股份有限公司 Goldenconn Electronics Technology Co.,LTD		

责任免除说明:

1. 产品推荐配套使用所有 Goldenconn 提供的零件, 如与其它厂商零件出现配合问题, Goldenconn 只负责所提供产品的质量保证。